

Illustration - Type - E

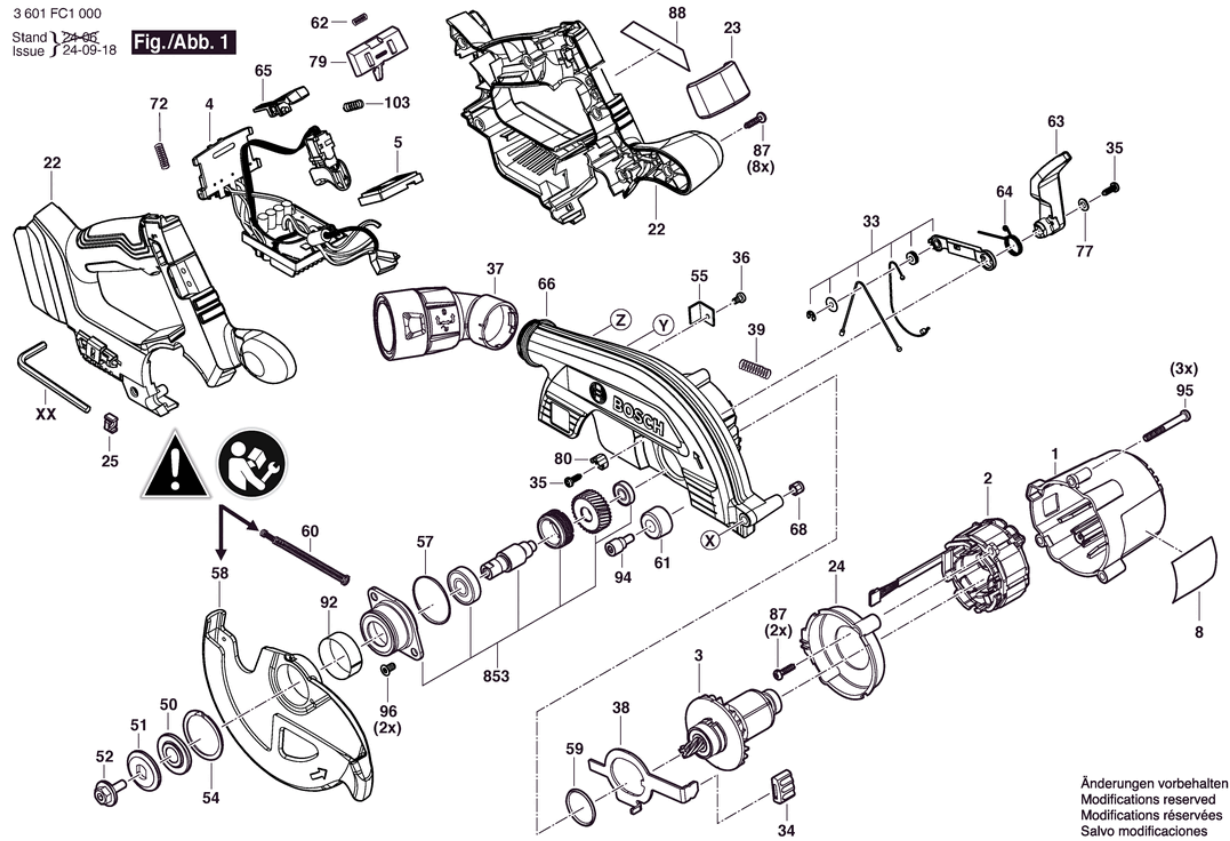
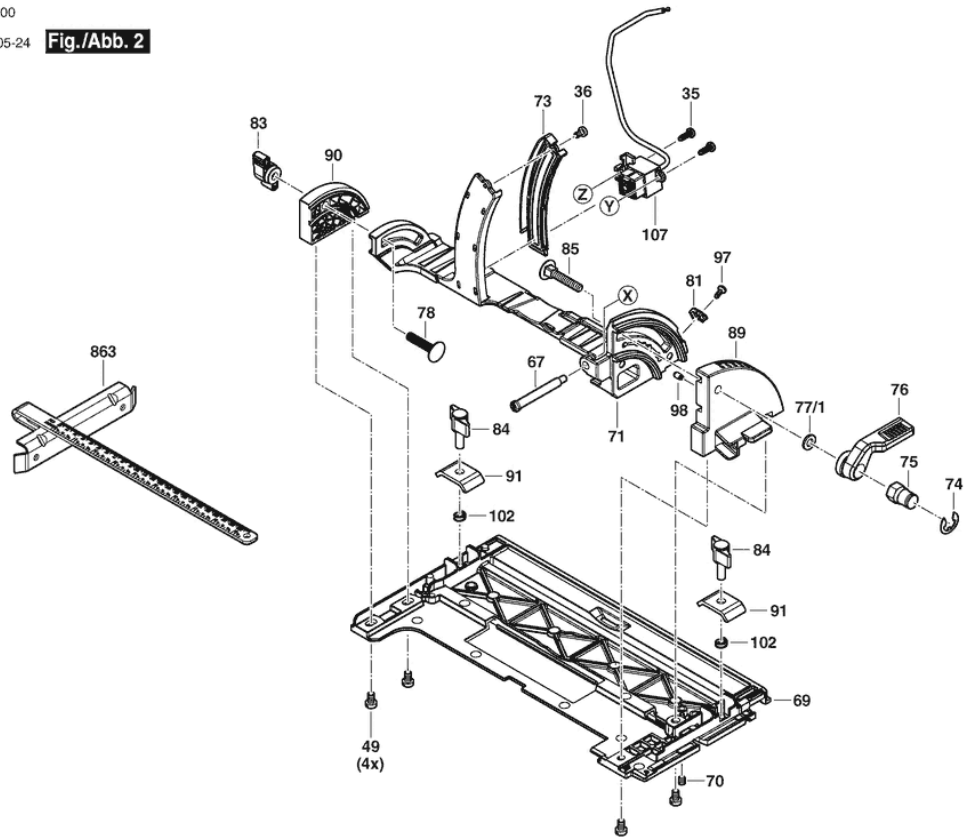


Illustration - Type - E

3 601 FC1 000
Stand Issue } 24-05-24 **Fig./Abb. 2**



Änderungen vorbehalten
Modifications reserved
Modifications réservées
Salvo modificaciones

Spare parts list

Item	Part Number	Description	Illustration
1	1 619 PS0 862	Motor Housing	1
2	1 619 P16 618	Stator	1
3	1 619 P16 617	Rotor	1
4	1 619 PS0 623	Electronic Module	1
5	1 619 PS0 624	Electronic Module	1
8	1 619 PS0 625	Nameplate	1
22	1 619 PS0 626	Handle	1
23	1 619 P17 004	Cover	1
24	1 619 P16 881	Baffle	1
25	1 619 P16 931	Set ring	1
33	1 619 PS0 627	Connecting Rod	1
34	1 619 P06 225	Cap	1
35	1 619 P01 678	Screw	1
36	2 603 414 048	Torx SH cap screw M3X5-8.8-Z	1
37	1 619 PS0 628	Suction Socket	1
38	1 619 P16 906	Guide Bracket	1
39	1 619 P01 642	Compression Spring	1
50	1 619 P16 909	Inner Disc	1
51	1 619 P17 074	Locking washer	1
52	1 619 P06 232	Screw	1
54	1 619 P06 238	Locking washer	1
55	1 619 PS0 629	Cap	1
57	1 600 210 050	O-Ring 35,0X1,0 MM	1
58	1 619 PS0 630	Lower guard	1
59	F 000 640 007	O-Ring	1
60	1 619 PS0 631	Extension Spring	1
61	1 619 P06 236	Bumper BLACK	1
62	2 610 935 251	Compression Spring	1
63	1 619 PS0 632	Lever	1
64	1 619 PS0 633	Torsion Spring	1
65	1 619 PS0 634	Locking Slide	1
66	1 619 PS0 635	Upper guard	1
68	2 610 924 684	Jam Nut	1
72	2 604 690 055	Compression Spring	1
77	1 619 P11 626	Plain Washer	1

Spare parts list

Item	Part Number	Description	Illustration
79	1 619 P16 910	Switch Button	1
80	1 619 PS0 640	Cable Clip	1
87	2 603 490 022	Screw 4X16	1
88	1 619 PS0 643	Label	1
92	1 619 PS0 647	Bushing	1
94	1 619 P06 246	Screw	1
95	2 610 925 864	Screw	1
96	2 610 924 687	Countersunk-Head Screw	1
103	1 619 PS0 648	Compression Spring	1
853	1 619 PS0 622	Bearing Flange	1
49	1 619 X06 538	Socket head cap screw	2
67	1 619 P09 219	Shoulder Screw	2
69	1 619 PS0 636	Base Plate	2
70	2 610 924 685	Adjusting Screw	2
71	1 619 PS0 637	Bridge	2
73	1 619 PS0 638	Scale	2
74	1 619 P02 796	Retaining ring	2
75	1 619 PS0 639	Adjusting Nut	2
76	1 619 P17 173	Lever	2
77/1	2 916 011 014	Plain Washer DIN 125-A 6,4-ST	2
78	1 619 P09 218	Round-Head Bolt M6X30	2
81	1 619 PS0 641	Indicator	2
83	1 619 P06 244	Wing Nut	2
84	2 603 480 003	Wing Screw M 6X16 MM	2
85	1 603 430 0A3	Screw M6X35	2
89	1 619 PS0 644	Hinge Bracket	2
90	1 619 PS0 645	Hinge Bracket	2
91	1 619 PS0 646	Connection Plate	2
97	1 619 P11 431	Thread-forming tap. Screw	2
98	1 619 X08 636	Ratchet Cap	2
102	1 604 611 025	Compression Spring	2
107	1 619 PS0 649	Locking Element	2
863	1 619 PS0 863	Parallel-Guide	2